

Adaptors & Accessories

Vinten supply an extensive range of adaptors and accessories.....

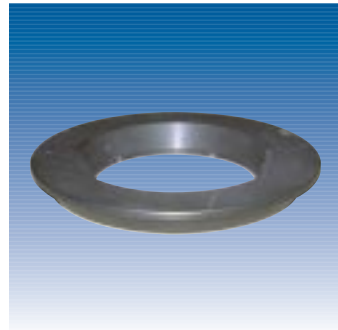
Not shown here the: **3384-202** Intermediate Plate for Portable Cameras
3354-900SP 20mm Spacer Ring, 4-bolt flat base to 4-bolt flat base



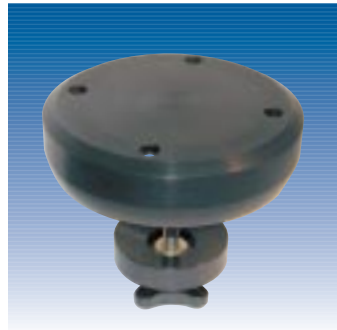
3357-3
Portable Pump. For use with the Osprey, Pro-Ped, Quartz/Quattro pedestals.



3702-32
Nitrogen charging adaptor for use with pedestals.



U005-159
75mm ball to 100mm bowl tripod adaptor.



3104-3
4-bolt flat base to 150mm bowl adaptor. For use with 150mm bowl Vision tripods.



3490-3
NEW Heavy Duty Quickfix Adaptor with 4-bolt base. For use with the Osprey, Pro-Ped, Quartz & Quattro pedestals plus HD tripods. 100kg max. capacity.
3101-3
Quickfix ring to fit 4-bolt flat base head.



3144-3
Quickfix Adaptor with 100mm Ball Base. For use with a standard Vision 100mm bowl tripod.



3143-3
Quickfix Adaptor with 150mm Ball Base. For use with a Vision 150mm bowl tripod.



3328-30
Quickfix Levelling Adaptor with 4-bolt flat base. For use with the Osprey, Pro-Ped, Quartz/Quattro pedestals and HD tripod.



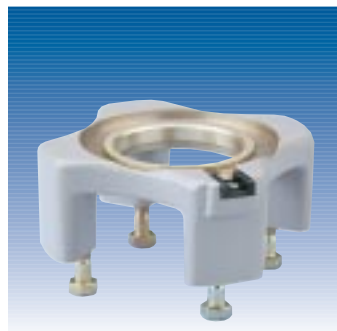
3100-3
Quickfix Adaptor with 4-bolt flat base. For use with the Osprey, Pro-Ped, Quartz/Quattro pedestals and HD tripod. 45kg max. capacity.



3103-3
Mitchell Adaptor 4-bolt flat base for use with HD-1 & HD-2 Tripods



3724-3
Mitchell Centre Screw. Allows a MK5 or Vector pan & tilt head to be mounted on a Mitchell base.



3055-3
Mitchell Spider Adaptor for Pedestals



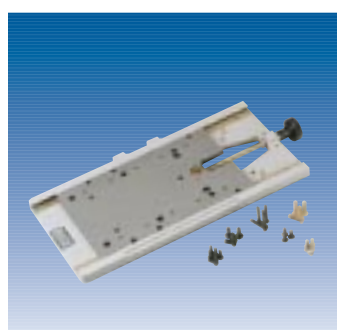
3368-24
Vinten 4-bolt fixing adaptor to fit skids.



3155-3
200mm Hi-Hat, 4-bolt flat base to 4-bolt flat base. For use with the Osprey, Pro-Ped, Quartz/Quattro pedestals and HD tripod.



3407-1A
Scaffold Clamp with 4-bolt fixing. For mounting directly onto OB scaffolding.



3069-3
Wedge Plate Extender for MK5

Adaptors & Accessories



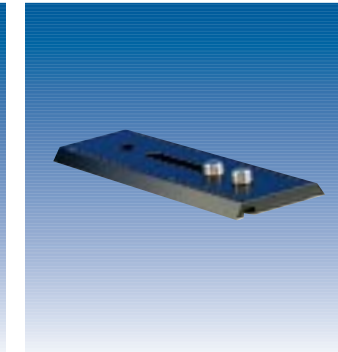
3330-17 - 150mm Levelling Bowl Adaptor with Quickfix ring and 4-bolt flat base.
3330-16 - 100mm Levelling Bowl Adaptor with Quickfix ring and 4-bolt flat base. Both for use with the Osprey, Pro-Ped, Quartz/Quattro pedestals and HD tripod.



3371-3
ENG Quickfit Automatic Adaptor with 3763-11 wedge.
3471-3 As above (Black). Provides a quick release fixing for cameras up to 25kg. Recommended for Vision 6, 8, 11, 100 & 250



3761-3
EFP Quickfit Automatic Adaptor with 3761-13 wedge. Provides a quick release fixing for cameras up to 45kg. Recommended for Vision 30



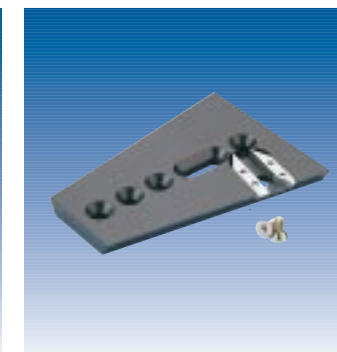
3449-900SP - Camera Mounting Plate for Vision 6 pan & tilt head includes Camera Fixing; VHS pin combined with a 1/4" screw.



3364-900SP - Camera Mounting Plate for Vision 8, 11, 100 and 250 Pan & tilt heads.



3053-3 - Standard Wedge Plate for Vector 70, 700, & MK5



3391-3 - Short Wedge Plate for Vector 70, 700, & MK5



3330-29 - Camera Fixing; VHS pin combined with a 1/4" screw.



3219-78
Pan Bar & Clamp for Vision 3 & 6



3219-71
Pan Bar & Clamp for Vision 8



3219-62
Telescopic Pan Bar & Clamp for Vector 70, 700, & MK5



3219-69
Telescopic Pan Bar & Clamp for Vision 8, 11, 100 & 250



3219-66
Extra Short Pan Bar & Clamp for Vector 70, 700, & MK5
3219-93 As above (Black)



3219-67
Short Pan Bar & Clamp for Vector 70, 700, & MK5
3219-94 As above (Black)



3219-82
Telescopic Pan Bar & Clamp for Vector 70, 700, & MK5 - Black



3219-91
Telescopic Pan Bar & Clamp for Vision 100 & 250 - Black