

CA-550(NTSC)/550P(PAL)

Camera Adaptor for BVP-550

- Furnished with a wideband triax cable interface for use with the CCU-700/500 series Camera Control Unit
- High picture quality is provided through component (Y/R-Y/B-Y) transmission in the wideband triax cable
- Ideal for studio use—All function switches are located at the rear in order to lower the viewfinder position and for comfortable tripod use in studios
- Switchable Intercom system (Producer or Engineer line can be selected)
- Provides a 26-pin connector for interface with portable VTRs via the CCZ or CCZQ cable

Supplied accessories: Operation manual (1)
Maintenance manual (1)

Optional accessories: Extension board (1)
BKP-5971, teleprompter unit (1)
COAX connector (1)

Dimensions: 193 (L) × 154 (H) × 119 (D)
(7 5/8 × 6 1/8 × 4 3/4 inches)

Specifications

General

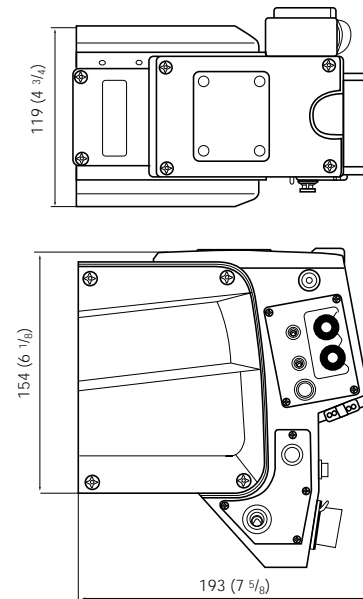
Power requirements: DC 12V (10.5V to 17V)
Power consumption: 10W
Operating temperature: -20 °C to +45 °C (-4 °F to +113 °F)
Storage temperature: -20 °C to +50 °C (-4 °F to +122 °F)
Mass: Approx. 2.5kg (5 lb 8 oz)

Connectors

MIC IN: XLR-3-pin (Female), 600Ω, balanced, phantom +48 V, AB +12 V
DC IN: XLR-4-pin (Male), 10.5V to 17V
DC OUT: 4-pin, 10.5V to 17V
GENLOCK IN: BNC, 1.0Vp-p, 75Ω
RET OUT: BNC, 1.0Vp-p, 75Ω
RETURN CONTROL: 6-pin
EARPHONE: Mini jack, 8Ω
CAMERA I/F: 68-pin
VTR: 26-pin (CCZ type)
CCU (Triax): Kings type (UC)
Fischer Type (CE)
CCU (Coax): BNC (option)
INCOM/PGM: 1CH, Headset XLR-5-pin
RCP: 8-pin (Female)



Dimensions



Unit: mm (inch)